

ASSEMBLY INSTRUCTIONS

Oswaldo 4" Double Pendant

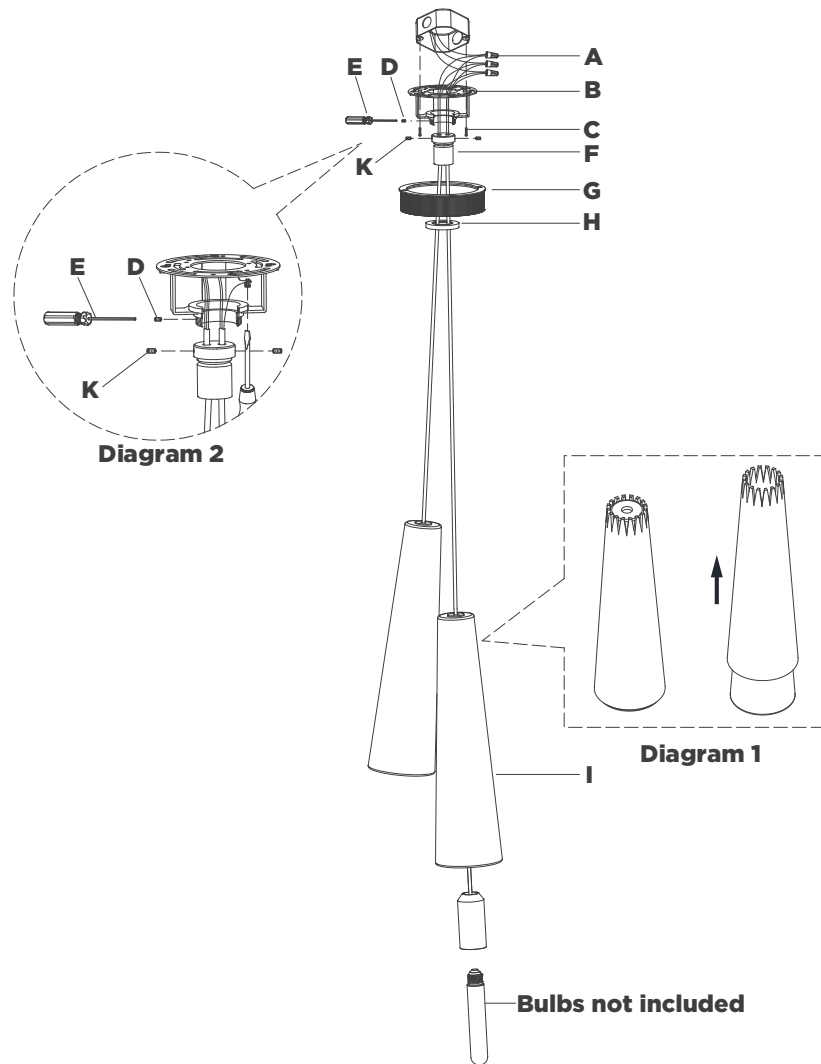
Item # RB5111

NOTICE:

This light fixture should be installed in accordance with all applicable, local installation codes, and by a person familiar with the construction and operation of it, as well as the hazards involved. Inspect item and contents carefully. If any damage or defect is found, do not install. Retain all packaging material until installation is complete and approved.

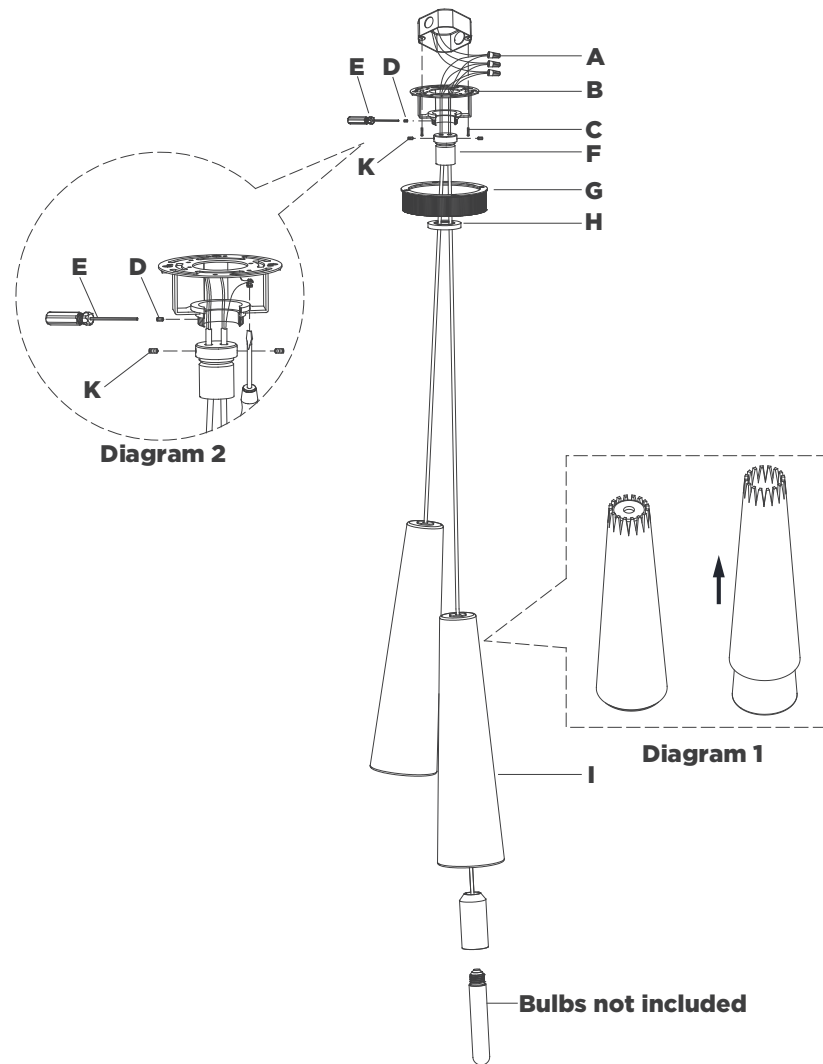
TOOLS REQUIRED (NOT INCLUDED):

Phillips Screwdriver	Slotted Screwdriver	Wire Strippers
Wire Cutters	Measuring Tape	



1. Carefully remove all parts from the box. Place on a clean, soft surface.
2. Remove mounting plate **(B)** from canopy **(G)** by removing collar ring **(H)**.
3. Install mounting plate **(B)** to the junction box and secure with mounting screws **(C)**.
4. Feed electrical wires shades **(I)**, collar ring **(H)**, canopy **(G)** and fan mount **(F)**.
NOTE: Slide packaging up for shades inspection, then slide back down and leave in place until installation is complete (see diagram 1).
5. Holding fixture upright, slide shades **(I)**, collar ring **(H)** and canopy **(G)** down and rest on socket.
NOTE: Slide components down slowly to avoid damage.
6. To adjust hanging wires loosen set screws **(K)** and adjust to desired length. Once complete re-secure set screws **(K)** to fixed fan mount.
7. After fixture height is achieved shorten the wires by using a pair of cutters (not included), leaving enough length to connect to junction box.

ASSEMBLY INSTRUCTIONS



Osvaldo 4" Double Pendant

Item # RB5111

NOTICE:

This light fixture should be installed in accordance with all applicable, local installation codes, and by a person familiar with the construction and operation of it, as well as the hazards involved. Inspect item and contents carefully. If any damage or defect is found, do not install. Retain all packaging material until installation is complete and approved.

8. Remove outer housing of wire by making a neat cut all the way around, about 1" from the end. Once cut is made, remove and discard the 1" piece of housing, exposing the electrical wires.
NOTE: Make sure not to cut too deep into housing or electrical wires could become damaged.
9. Separate wires, and strip insulation on each 5/8".
10. Hang fixture fan mount (F) to the center of mounting plate (B) and secure with set screw (D) using provided wrench (E).
11. Wrap fixture ground wire (bare copper) around the green grounding screw (see diagram 2). Tighten. Continue fixture ground wire and connect to supply ground wire (usually green or bare copper) using wire nut (B).
NOTE: It is imperative that the fixture is grounded.
12. Connect fixture neutral wires (white) to the supply neutral wire (usually white) using wire nut (B).
13. Connect the fixture hot wires (black) to the supply hot wire (usually black) using wire nut (B).
CAUTION: Do not reverse the hot and neutral connections.
14. Make sure all wire connections are tight, then carefully tuck into the junction box.
15. Install canopy (G) to mounting plate (A) and secure with collar ring (H).
16. Install light bulbs into the sockets.

CARE INSTRUCTIONS: Clean only with a soft dry cloth or feather duster. Do not use abrasive or chemical agents.